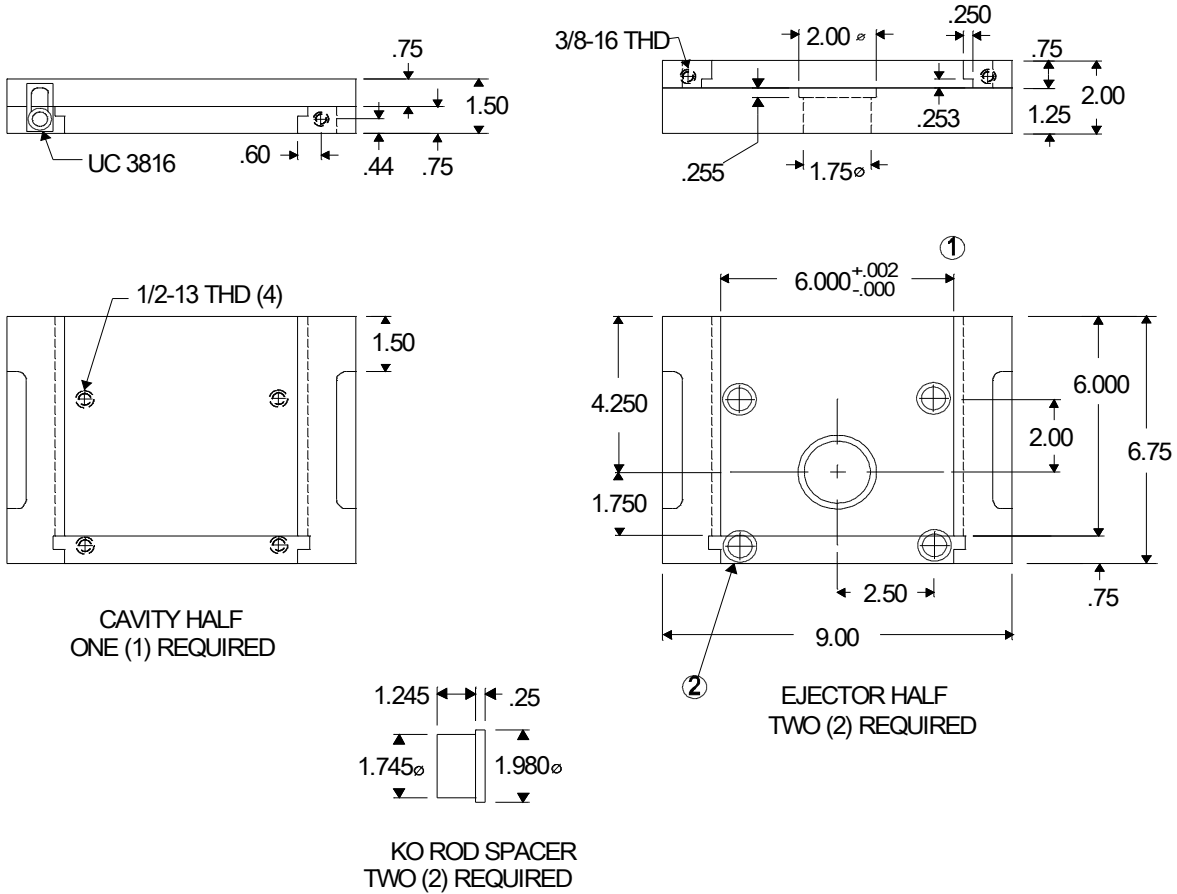


09/07 U-Frame

"Shuttle Style" U-Frame Denotes two "B" halves.

SHUTTLE STYLE U-FRAME

Catalog #	09/07 UF 321
-----------	--------------



① 3/8 X 5 Degree Lead-in

② Drill & Counterbore for 1/2-13 SHCS (4)

ORDERING INFORMATION

frames

- Please specify Quantity & Catalog #
- Specify Locating Ring Diameter & Sprue Bushing R & O sizes
- Standard Material for Frames is 4140 Prehard

Inserts

- Please specify Quantity & Catalog #
- Steel grades available: P-20 Prehard or 4140 Prehard (Other grades available upon request)
- Optional "A", "A2", "B2", & "B" thickness'

(See compatible inserts on opposite page →)

Cross Tool & Manufacturing, Inc.
1-800-832-3993
crosstool.com