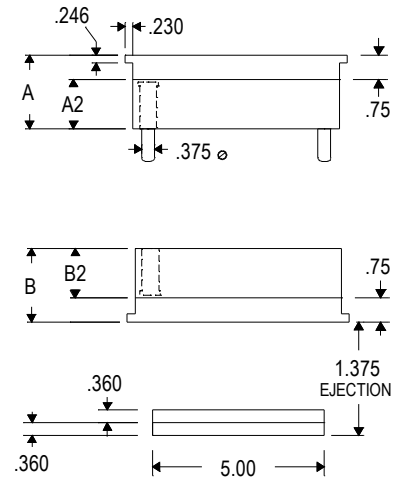
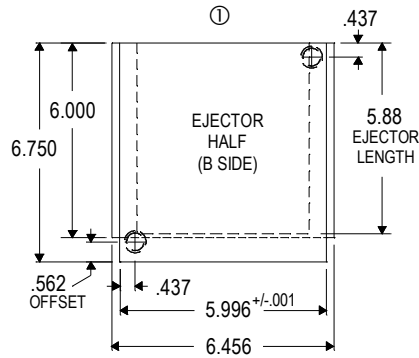


6.0 X 6.75 & 9.0 X 6.75 INSERTS

FITS 09/07 EB U-FRAME

Standard Solid Insert (6.0 X 6.75)				
Catalog #	A	A2	B2	B
09/07 SSE 221	2.250	1.500	1.500	2.250
09/07 SSE 221S	2.250	1.500	1.500	2.250

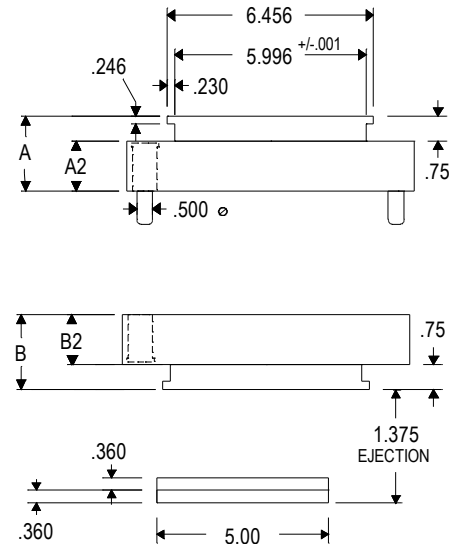
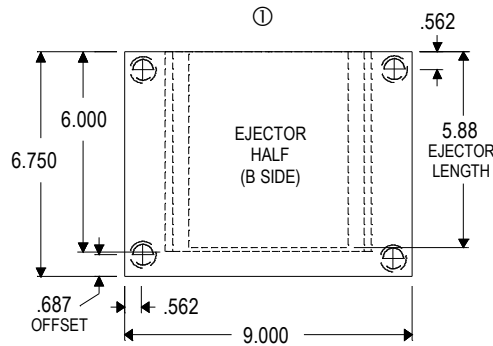
"S" Denotes two "B" halves.



T-Style Laminated Inserts are shipped with loose ear plates

T-Style Laminated Insert (9.0 X 6.75)				
Catalog #	A	A2	B2	B
09/07 TLE 201	2.250	1.500	1.500	2.250
09/07 TLE 201S	2.250	1.500	1.500	2.250

"S" Denotes two "B" halves.



① Clamp Side

"A" & "B" dimensions are supplied .004" to .007" oversize at parting line unless otherwise specified.

Cross Tool & Manufacturing, Inc.
1-800-832-3993
crosstool.com