

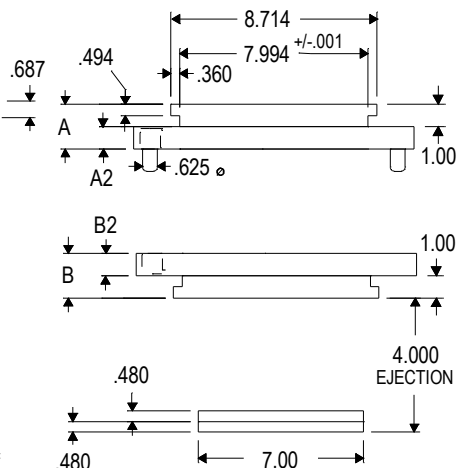
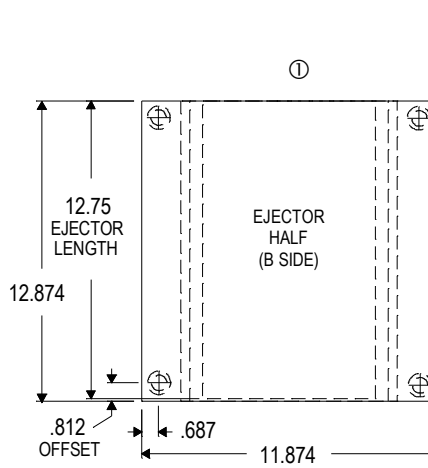
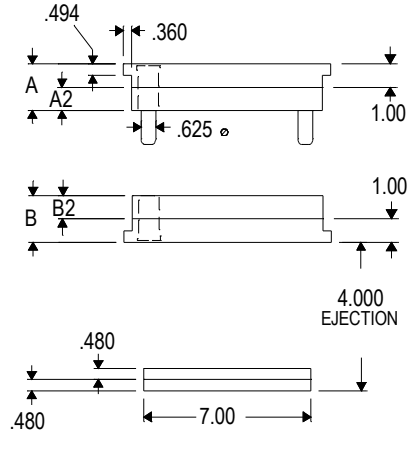
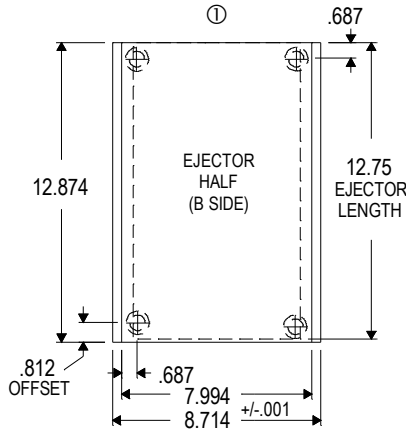
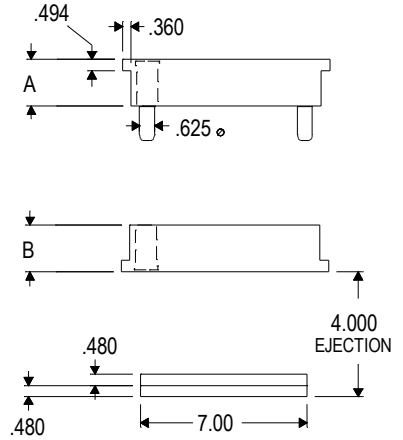
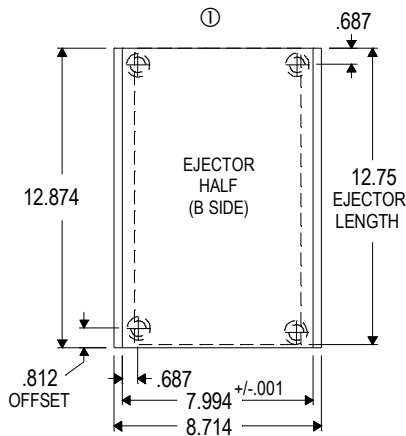
Standard Solid Insert (8.0 X 12.9)			
Catalog #	A	B	
12/14 SSU 221	1.377	1.377	
12/14 SSU 222	1.377	1.877	
12/14 SSU 223	1.377	2.377	
12/14 SSU 224	1.877	1.377	
12/14 SSU 225	1.877	1.877	
12/14 SSU 226	1.877	2.377	
12/14 SSU 227	1.877	2.877	
12/14 SSU 228	2.377	1.377	
12/14 SSU 229	2.377	1.877	
12/14 SSU 230	2.377	2.377	
12/14 SSU 231	2.377	2.877	
12/14 SSU 232	2.877	1.877	
12/14 SSU 233	2.877	2.377	
12/14 SSU 234	2.877	2.877	

Standard Laminated Insert (8.0 X 12.9)				
Catalog #	A	A2	B2	B
12/14 SLU 281	1.877	0.877	0.877	1.877
12/14 SLU 282	1.877	0.877	1.377	2.377
12/14 SLU 283	1.877	0.877	1.877	2.877
12/14 SLU 284	2.377	1.377	0.877	1.877
12/14 SLU 285	2.377	1.377	1.377	2.377
12/14 SLU 286	2.377	1.377	1.877	2.877
12/14 SLU 287	2.377	1.377	2.377	3.377
12/14 SLU 288	2.877	1.877	0.877	1.877
12/14 SLU 289	2.877	1.877	1.377	2.377
12/14 SLU 290	2.877	1.877	1.877	2.877
12/14 SLU 291	2.877	1.877	2.377	3.377
12/14 SLU 292	3.377	2.377	1.377	2.377
12/14 SLU 293	3.377	2.377	1.877	2.877
12/14 SLU 294	3.377	2.377	2.377	3.377

T-Style Laminated Insert (11.9 X 12.9)				
Catalog #	A	A2	B2	B
12/14 TLU 201	2.377	1.377	1.377	2.377
12/14 TLU 202	2.377	1.377	1.877	2.877
12/14 TLU 203	2.377	1.377	2.377	3.377
12/14 TLU 204	2.877	1.877	1.377	2.377
12/14 TLU 205	2.877	1.877	1.877	2.877
12/14 TLU 206	2.877	1.877	2.377	3.377
12/14 TLU 207	2.877	1.877	2.877	3.877
12/14 TLU 208	3.377	2.377	1.377	2.377
12/14 TLU 209	3.377	2.377	1.877	2.877
12/14 TLU 210	3.377	2.377	2.377	3.377
12/14 TLU 211	3.377	2.377	2.877	3.877
12/14 TLU 212	3.877	2.877	1.877	2.877
12/14 TLU 213	3.877	2.877	2.377	3.377
12/14 TLU 214	3.877	2.877	2.877	3.877

8.0 X 12.9 & 11.9 X 12.9 INSERTS

FITS 12/14 U-FRAME



T-Style Laminated Inserts are shipped with loose ear plates

"A" & "B" dimensions are supplied .004" to .007" oversize at parting line unless otherwise specified.

Ⓛ Clamp Side