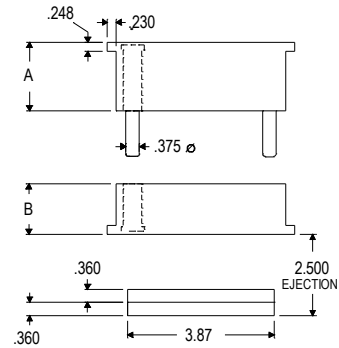
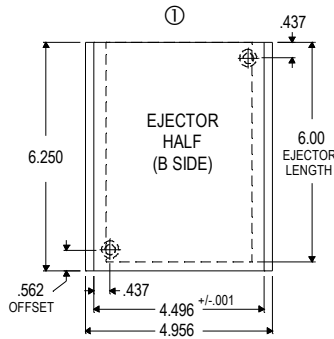


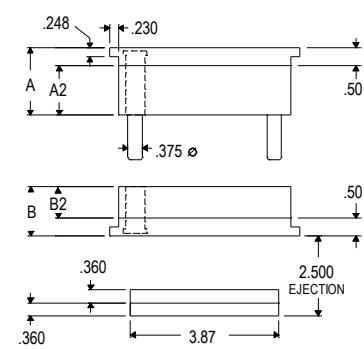
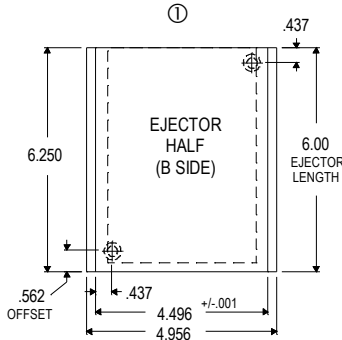
# 4.5 X 6.25 & 6.0 X 7.25 INSERTS

## FITS 07/07 U-FRAME

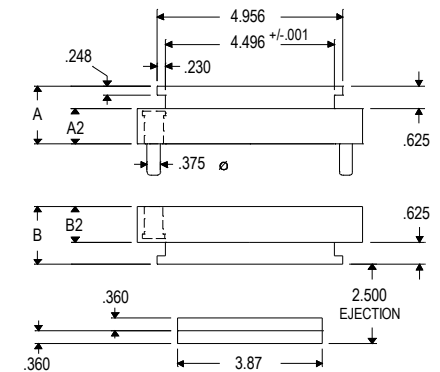
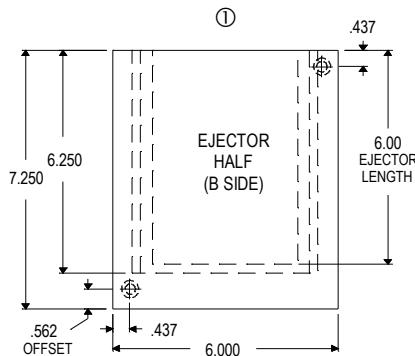
Standard Solid Insert (4.5 X 6.25)		
Catalog #	A	B
07/07 SSU 221	1.377	1.377
07/07 SSU 222	1.377	1.877
07/07 SSU 223	1.877	1.377
07/07 SSU 224	1.877	1.877



Standard Laminated Insert (4.5 X 6.25)				
Catalog #	A	A2	B2	B
07/07 SLU 281	1.377	0.877	0.877	1.377
07/07 SLU 282	1.377	0.877	1.377	1.877
07/07 SLU 283	1.877	1.377	0.877	1.377
07/07 SLU 284	1.877	1.377	1.377	1.877



T-Style Laminated Insert (6.0 X 7.25)				
Catalog #	A	A2	B2	B
07/07 TLU 201	1.625	1.000	1.000	1.625
07/07 TLU 202	1.875	1.250	1.250	1.875



① Clamp Side

"A" & "B" dimensions are supplied .004" to .007" oversize at parting line unless otherwise specified.

Cross Tool & Manufacturing, Inc.  
1-800-832-3993  
crosstool.com