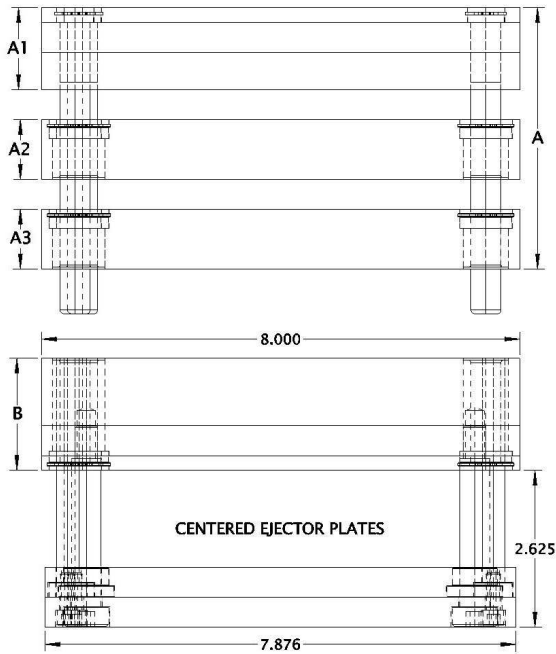
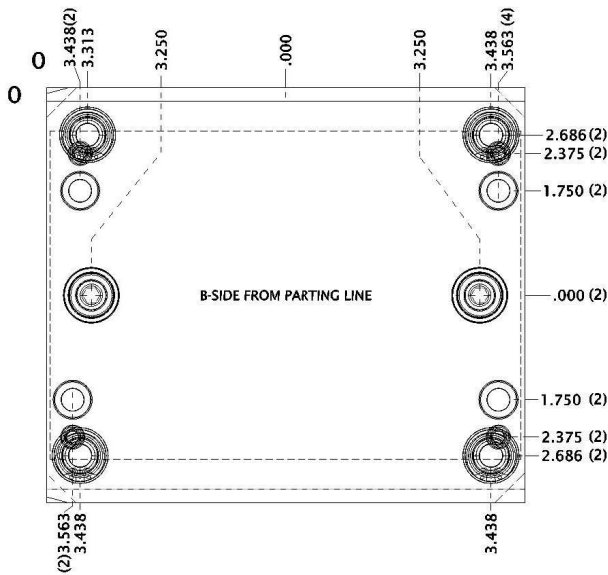


84/90 C-XSU-3P 3 PLATE INSERT

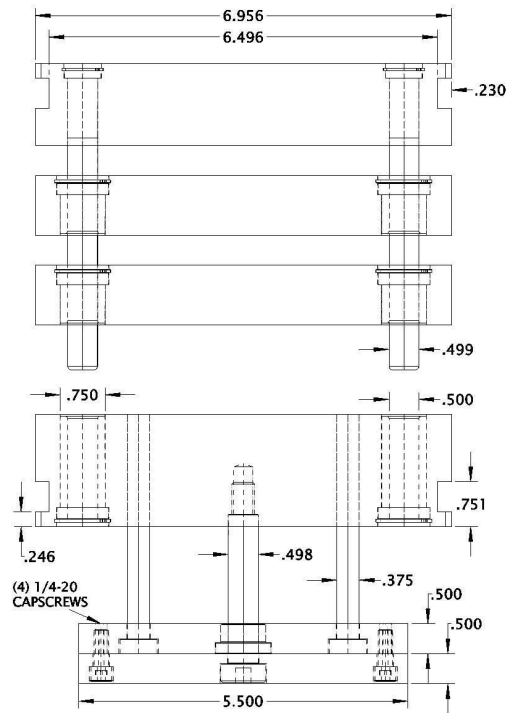
6.5 X 8.0 FITS 84/90 U-FRAME



SHOWN AS SIMPLE GUIDED WITH 4 STRAIGHT LEADER PINS.

YOUR CHOICES INCLUDE:

- * 2 STANDARD LOCATED LEADER PINS (OPTIONAL)
- * ALL THE OPTIONS FOR RETURN PINS, GUIDED EJECTORS OR BLANK EJECTOR PLATES (SEE C-XSU PAGE 14)
- * ALSO AVAILABLE WITH A LAMINATED B-SIDE



CATALOG NUMBER *CUSTOMIZABLE	A1	A2	A3	B
84/90 C-XSU-3P-001	1.000	1.000	1.000	1.877
84/90 C-XSU-3P-002	1.000	1.000	1.000	2.377
84/90 C-XSU-3P-003	1.000	1.000	1.000	2.877
84/90 C-XSU-3P-004	1.377	1.000	1.000	1.877
84/90 C-XSU-3P-005	1.377	1.000	1.000	2.377
84/90 C-XSU-3P-006	1.377	1.000	1.000	2.877

*CAN BE ORDERED IN ANY COMBINATION OF 1.00, 1.377, 1.877, 2.377, OR 2.877.

ORDERING EXAMPLES:

84/90 C-XSU-3P-005
84/90 C-XSU-3P-001
84/90 C-XSU-3P-003

CUSTOM ORDER EXAMPLES:

84/90 C-XSU-3P	84/90 C-XSU-3P
A1 1.877	A1 1.377
A2 1.250	A2 1.877
A3 1.377	A3 1.000
B2 1.627	B 2.377
B 2.377	