

REQUIRED INFORMATION

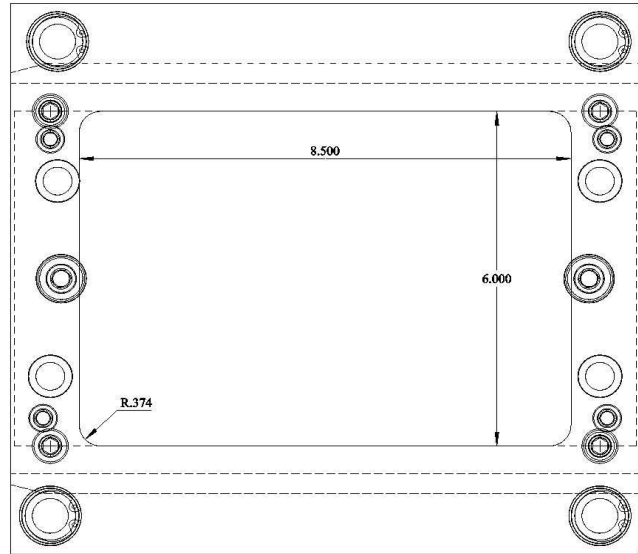
C-10/12 POCKETS

Single Pocket:

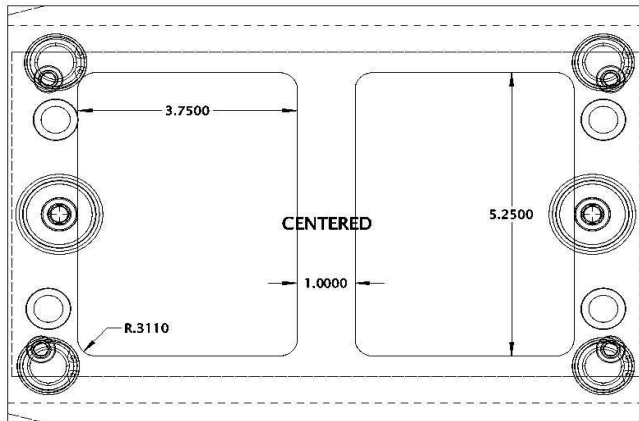
- Width of pocket inside the 6.996 dimension on C-XSU and C-SLU, or 9.875 inch T-plate dimension.
- Length of pocket inside 8 inch ear-plate dimension
- Depth of pocket
- Corner radius (.3115 standard to 1 inch deep)
- Corner radius (.374 standard from 1 to 2 inch deep)
- Center of pocket from middle of ear-plate towards or away from offset leader pin.

Multiple Pocket:

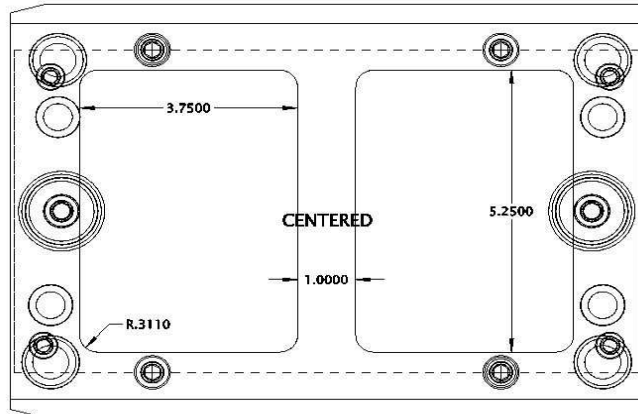
- Width of pockets
- Length of pockets
- Depth of Pockets
- Corner radius (.3115 standard to 1 inch deep)
- Corner radius (.375 standard from 1 to 2 inch deep)
- Location of pocket centers from middle of ear-plate towards or away from offset leader pin.



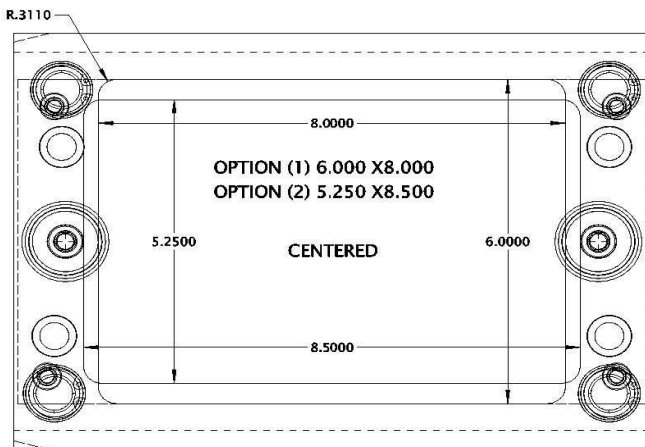
10/12 CTLU laminated pockets
maximum through size



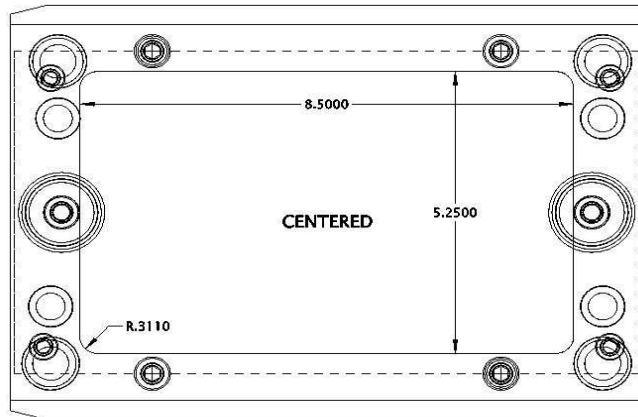
10/12 CXSU solid pocket
maximum size



10/12 CSLU laminated pocket
maximum size



10/12 CXSU solid pocket
maximum size



10/12 CSLU laminated pocket
maximum size