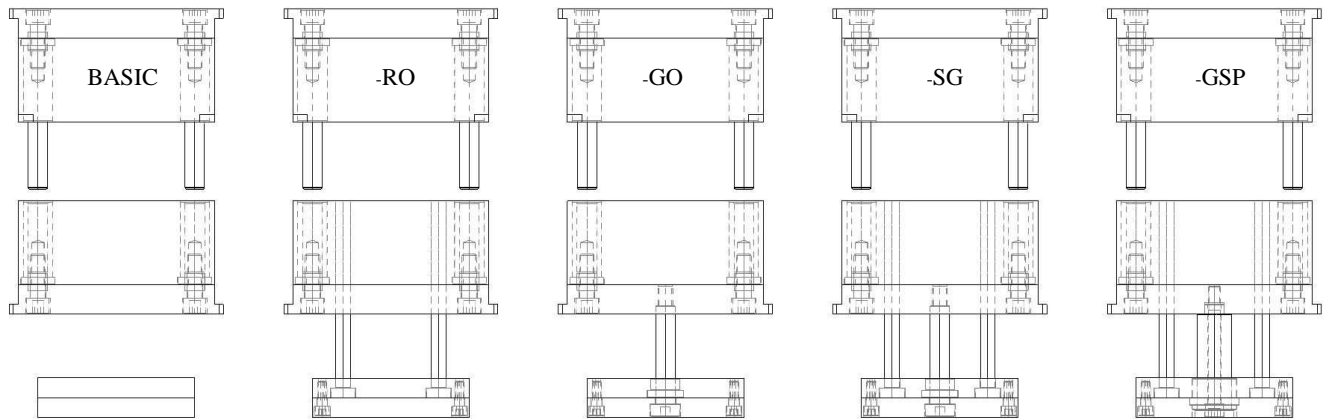


08/09 C-SLU LAMINATED INSERT

DRAWINGS AVAILABLE ONLINE IN .STEP OR .SAT FORMATS AT CROSTOOL.COM

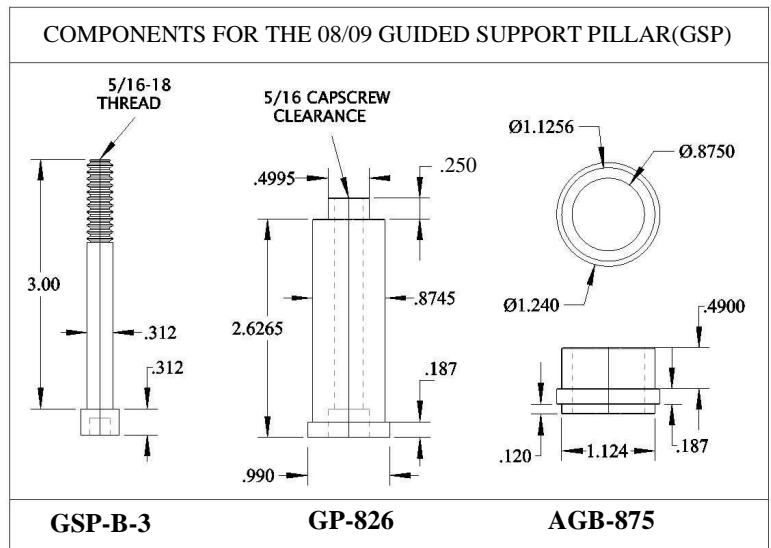


ORDERING EXAMPLES:

08/09 C-SLU-284-RO 08/09 C-SLU-287-GSP

CATALOG NUMBER	A	A2	B2	B
BASIC				
08/09 C-SLU-284	1.877	1.127	1.127	1.877
08/09 C-SLU-285	1.877	1.127	1.627	2.377
08/09 C-SLU-286	2.377	1.627	1.127	1.877
08/09 C-SLU-287	2.377	1.627	1.627	2.377
08/09 C-SLU-288	2.377	1.627	2.127	2.877
08/09 C-SLU-289	2.877	2.127	1.627	2.377
08/09 C-SLU-290	2.877	2.127	2.127	2.877

THE (GUIDED SUPPORT PILLAR) OPTION USES THE SAME LOCATIONS AS THE (SIMPLE GUIDED), AS DRAWN ON THE OPPOSITE PAGE →

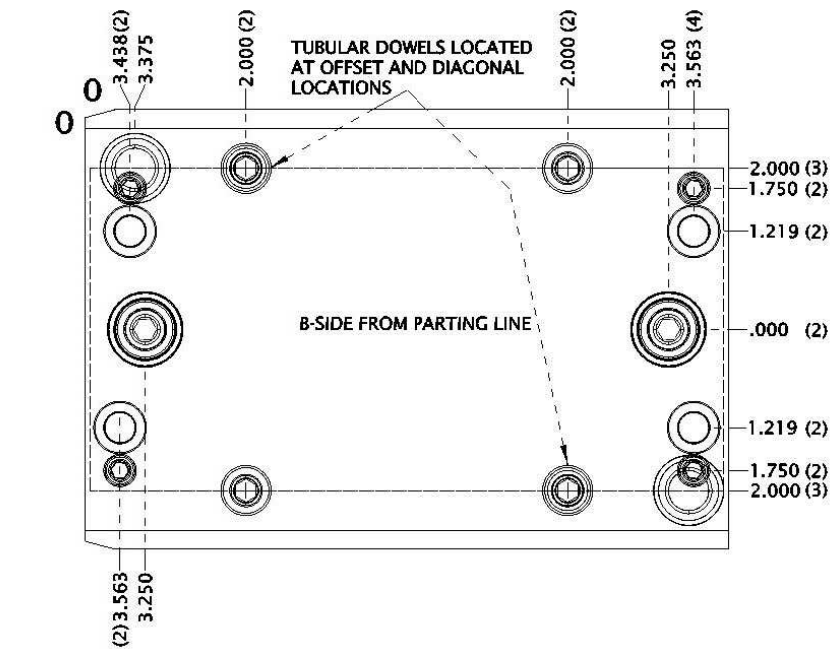


NOTE: THE C-SLU SERIES INCLUDES BOLTED EAR PLATES WITH TUBULAR ALIGNMENT DOWELS.

ADDITIONAL OPTIONS:

- RO (RETURN ONLY) INCLUDES ALL RETURN PIN MACHINING, WITH CUT TO SIZE RETURN PINS AND BOLTED EJECTOR PLATES.
- GO (GUIDED ONLY) USES SHOULDER BOLTS AND ALUMINUM BRONZE BUSHINGS. A GOOD QUALITY GUIDED SYSTEM THAT INCORPORATES AN EJECTOR PLATE RETENSION SYSTEM. INCLUDES BOLTED EJECTOR PLATES, BUT NO RETURN PINS.
- SG (SIMPLE GUIDED) USES SHOULDER BOLTS AND ALUMINUM BRONZE BUSHINGS. A GOOD QUALITY GUIDED SYSTEM, THAT INCORPORATES AN EJECTOR PLATE RETENSION SYSTEM. INCLUDES ALL THE FEATURES OF THE RETURN PIN ONLY.
- GSP (GUIDED SUPPORT PILLAR) USES HIGH PRECISION SUPPORT PILLARS AND ALUMINUM BRONZE BUSHINGS TO PROVIDE A SUPERIOR QUALITY GUIDED EJECTOR SYSTEM. INCORPORATES AN EJECTOR PLATE RETENSION SYSTEM. INCLUDES ALL THE FEATURES OF THE RETURN ONLY.

08/09 C-SLU 5.0 X 8.0 FITS 08/09 U-FRAME



SIMPLE GUIDED

